

OUTDOOR LED LIGHTING



SHOSHA/FL

EY366

LED FLOOD LIGHT LED STADIUM LIGHT



Football Stadium, Japan



**LIGHT WEIGHT
AT ≈ 20kg**

EY366- 1200W • 1300W • 1450W

PRODUCT FEATURES

- Light weight LED fixture for easy installation & cost saving on mast / pole.
- Cold Forging Aluminum with high efficient excellent heat dissipation design.
- The IP66 rated sealed fixture protect it against water and dust in harsh outdoor environment.
- Superior light intensity with multi beam angle selection for sport lighting application.
- Best choice for direct retrofitting of up to 2000W Metal Halide Flood Light.

OPTIONAL LIGHT CONTROL

Anti glare shield

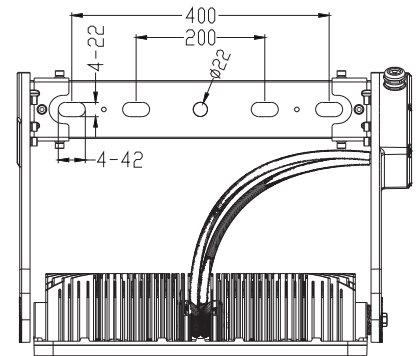
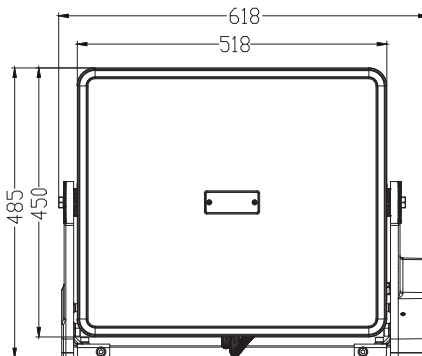
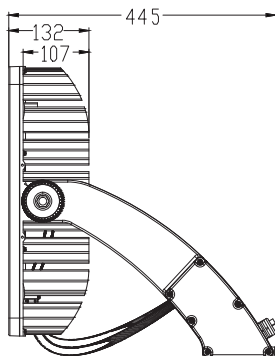


Light Shield

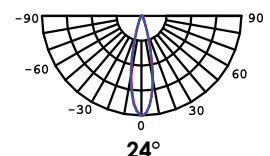
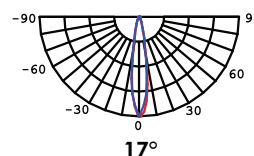
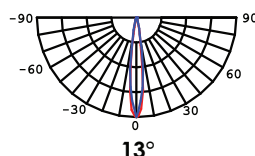
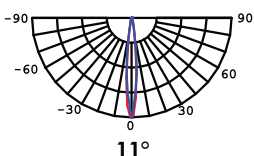


- With anti-glare shield and light shield can prevent unwanted light which causing discomfort, distraction, or a reduction in visibility. (special order with extra charge upon request)

PRODUCT DIMENSION



PHOTOMETRY/BEAM ANGLE



MODEL NO.	EY366-1200W	EY366-1300W	EY366-1400W
Power Consumption ±5% (W)	1200W	1300W	1400W
Luminaire Flux ±5% (lm)	157,200	162,500	175,000
System Efficacy ±5% (lm/W)	131	125	125
Power Factor (PF)	>0.96	>0.96	>0.96
HID Equivalent	2000W	2000W	2000W
Net Weight (kg)	Lantern : 19.5kg		LED Driver : 3.5 ± 0.5kg
Gross Weight (kg)	Lantern + LED Driver : 23 ± 1kg		
Product Dimension, L x W x H (mm)	Lantern : 618 x 485 x 445		LED Driver : 500 x 680 x 77
Carton Dimension, L x W x H (mm)	Lantern + LED Driver : 750 x 680 x 215		
CBM (m ³)	0.11		

Note 1: The above specified lumen and system efficiency based on standard CCT: 5000K & 17° beam, CRI 90.

TECHNICAL SPECIFICATION

ELECTRICAL SYSTEM

- **Input Voltage** : 100 - 240Vac, 50/60Hz
- **Insulation Class** : Class I
- **LED Driver** : Inventronics PWM/moso DMX/
MOONS D4I DMX
- **Surge Protection Devices** : I_{max} 25kA (10kV)

LIGHT SOURCE / OPTIC

- **LED Type** : SAMSUNG SMD or
OSRAM
- **Color Temperature (CCT)** : Standard 5000K
(Others upon request)
- **Color Rendering Index (CRI)** : Ra > 70
(Ra > 80, 90, TLCI90 upon request)
- **Life Time Residual Flux** : (L70), >50,000 hours
@ Ta = 50°C
- **Optical System** : 11°, 13°, 17°, 24° Beam Angle
: Japanese PC Resin Lens Cover
- **Working Temperature** : Ta : -30°C to +50°C

APPLICATION

- Sport Lighting • Highmast • Façade Lighting
- Car Parks • Highway Interchange • Toll Plaza
- Airport Apron • Quay Crane • Port Lighting

COMPLIANCE

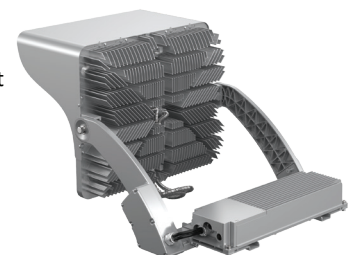
- **Type Test Certified (Luminaire)** : IEC 60598-1, IEC 60598-2-1
: IEC 60598-2-5, IEC/TR 62778
- **EMC Certified (LED Driver)** : IEC 61000-3-2, IEC 61000-3-3
: IEC 55015, EN 61547, EN 62493
- **LED Compliances Test** : IESNA LM-80, TM-21
- **Ingress Protection Test** : IEC 60529 (IP66)
- **Impact Resistance Test** : IEC 62262 (IK09)
- **Vibration Test** : IEC60068-2-6 (5G vibration test)

FIXTURE/HOUSING

- **Ingress Protection (IP)** : IP66
- **Impact Resistance (IK)** : IK09
- **Housing Material** : Cold Forging Pure Aluminum AL1070
- **Housing Finish** : Powder Coating - RAL9006
- **Driver Box** : Remote or Bracket Attach*

OPTIONAL FEATURES/ACCESSORIES

- DMX / DALI Control
- Smart Lighting Controller
- Customizable Wattage upon request
- Anti Glare Shield
- Light Shield (light cut off)



*Bracket Attached Driver Box